

OVERVIEW

Simple and Accurate Mounting

The AL-100 leveling plate is designed for use on flat surfaces or to mount to surfaces, such as wood. The leveling plate contains an integrated bubble-level designed to work between -29 and 55 C to make leveling simple and accurate, which ensures correct sensor deployment.

Accommodated Sensor Models

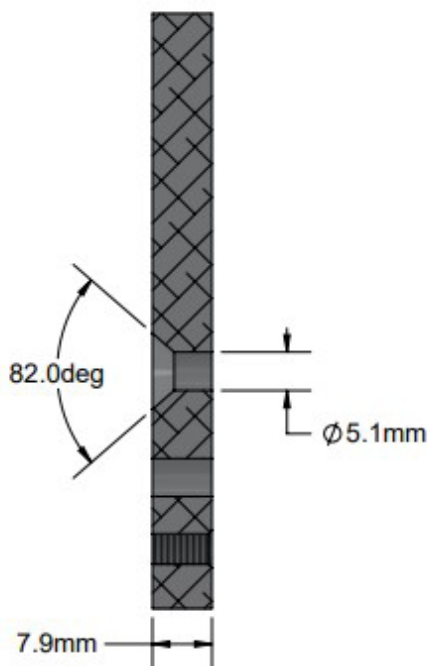
The leveling plate can accommodate all Apogee Instruments' solar radiation sensors, such as pyranometers, pygeometers, quantum sensors, and more.



SPECIFICATIONS

AM-500	
Dimensions	79 mm x 79 mm x 8 mm
Mass	113 g
Warranty	4 years against defects in materials and workmanship

DIMENSIONS



SECTION A-A

ASSEMBLED WITH HARDWARE:

