



● **A250+** ● **A450+**

On-line Single Color Infrared Focusable Non-contact Pyrometers

● **A250+** ● **A450+**

210°C to 3000°C

Features

- Wide temperature ranges from 210°C to 3000°C
- Focusable Optics
- Fast Response Time
- Spectral range 1.0 μm 1.6 μm
- Integrated OLED Display & Parameterizing Keys
- Laser targeting, Through The lens view finder and video sighting options are available
- Analog output options 0...20mA, 4. 20mA
- RS-485 Serial interface
- User friendly PC software for communication
- Green LED for pyrometer status indication
- Red LED for Laser ON/OFF indication (PL)

Standard Scope of Supply

- Pyrometer with Focusable optics, OLED Display & Parameterizing Keys
- Laser pilot light(PL)/Through the lens(TL) sighting / Video (user can select while ordering)
- Analog output 4...20mA, 0..20mA
- Digital Interface RS-485
- 5 mtr long connection cable with connector
- Calibration certificate, Software & Operation manual

Optional

- Mechanical & Electrical Accessories
- Extra Cable Lengths

Applications

- Preheating
- Annealing
- Tempering
- Welding
- Forging
- Hardening
- Melting
- Sintering
- Soldering
- Rolling
- Brazing
- Normalizing



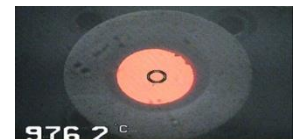
A250+ and 450+ is a highly accurate digital single color IR Focusable pyrometer to provide high performance and low maintenance of non contact temperature measurement in demanding industrial and R&D environments.

The IR pyrometer parameters can be selected via the key pads on the back panel. The settings are displayed on the OLED Display. In the measuring mode real time temperature is displayed. In Pyrometers with video module real time colour video, measuring temperature and emissivity is displayed on the television screen. A250+ and 450+ have focusable optics for optimal match of the instrument for various applications. The pyrometers are equipped with RS-485; analog outputs 0/4....20. Switching laser ON/OFF does not effect the measurement.

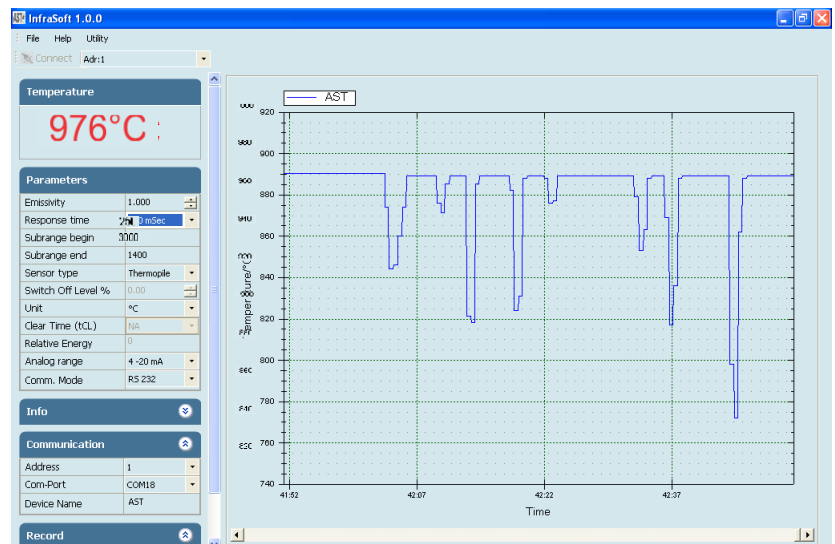
Software “Infrasoft”

AST “Infrasoft” software is under standard scope of supply. It offers possibilities of connecting three pyrometers simultaneously for parameter setting, view real time graph, offline graph and to evaluate measuring data. Communication between the pyrometer and the software is implemented via a cable connected between the pyrometer and the PC serial port. It comes with record feature, spot size calculator and parameter settings features. Some of the parameters adjustable via software are

- Emissivity, Response Time
- Clear Time(Peak Picker)
- Analog Output
- Sub Range
- Unit of Temperature(°C/°F)
- Communication mode (Comm. mode)



Example Video Image



Technical Specifications

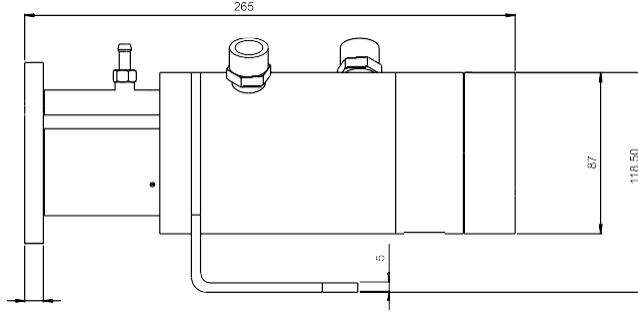
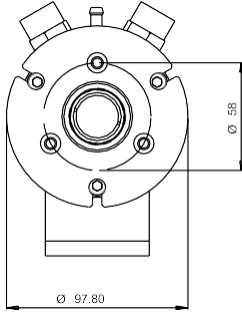
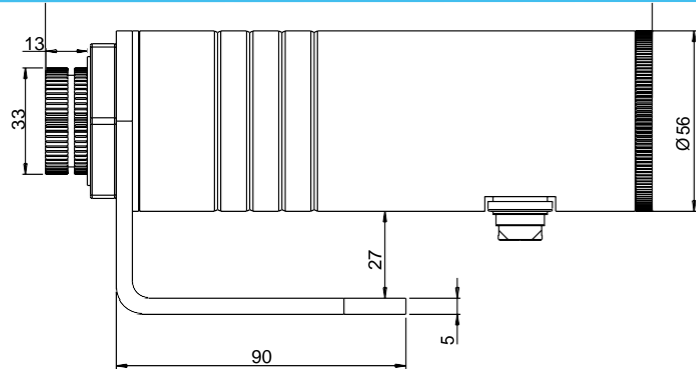
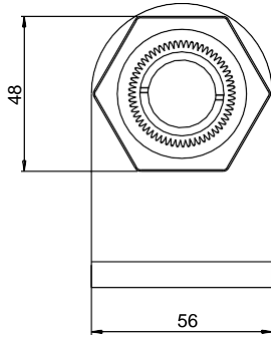
| Model | A250+ | A450+ |
|---|--|------------------------|
| Temperature Range (Analog sub-range adjustable) | 210°C - 1350°C 250°C - 1800°C 300°C - 2500°C 350°C - 3000°C | 600°C - 2500°C |
| Spectral Range | 1.6 µm | 1.0 µm |
| Photodetector Type | InGaAs | Si |
| Distance to Spot Size Ratio | 75:1 (210°C - 1350°C) 150:1 (250°C - 1800°C) 300:1 (300°C - 2500°C) 300:1 (350°C - 3000°C) | 300:1 (600°C - 2500°C) |
| Emissivity (ε) | 0.1....1.0 adjustable | |
| Response Time | 2 msec adjustable upto 10 sec | |
| Accuracy | ± 0.3% of the measured value + 1°C | |
| Repeatability | 0.1% of reading in °C + 1°C | |
| Sighting Options | Laser Pilot Light(PL), Through The Lens (TL) & Video Module | |
| Analog Output | 0-20mA, 4-20mA (User selectable) | |
| Digital Output | RS-485 | |
| Operating Temp. Range | 0°C.....70°C | |
| Storage Temp. Range | -20°C...70°C | |
| Adjustable Parameters and Features via Software and Android app | Emissivity, Response Time, Clear Time (Peak Picker), Analog Output, Analog Scale (Sub range), Unit Of Temperature(°C/°F), Communication mode (Comm.mode), Record feature, Relay set point & hysteresis, etc. | |
| Adjustable Parameters and Features via Keypad | Emissivity, Response Time, Clear Time (Peak Picker), Analog Output, Analog Scale (Sub range), Unit Of Temperature(°C/°F), Communication mode (Comm. mode), Relay set point & hysteresis, address, etc. | |
| Relay output | One Relay output with hysteresis 60V DC / 42 AC RMS, 0.4 A | |
| Power Supply | 12V to 28V DC with reverse voltage protection | |
| Power Consumption | Max 4.0 watt | |
| Laser Power | <1 m watt (only PL model) | |
| Protection Class | Ip65 | |
| Housing | Stainless Steel | |
| Isolation | Power supply,Digital output and Analog output are galvanically isolated against each other | |
| Operating Humidity | 10-95%, Non-Condensing Conditions | |
| Weight & Dimensions | 1200g Dia= Ø 56mm; Length=188.5mm | |

Spot Sizes

| Focused Working Distances WD (mm) | Length L | Spot Sizes(mm) | | | | |
|-----------------------------------|----------|-----------------------------------|------------------------------------|--|----------|------------------------------------|
| | | A250+ 210°C - 1350°C (75:1) | A250+ 250°C - 1800°C (150:1) | A250+ 300°C - 2500°C 350°C - 3000°C (300:1) | Length L | A450+ 600°C - 2500°C (300:1) |
| 500 | 13.20 | 6.70 | 3.40 | 1.70 | 12.70 | 1.70 |
| 700 | 8.70 | 9.40 | 4.70 | 2.40 | 8.50 | 2.40 |
| 1000 | 5.70 | 13.40 | 6.70 | 3.40 | 5.50 | 3.40 |
| 2000 | 2.40 | 26.70 | 13.40 | 6.70 | 2.30 | 6.70 |
| 5000 | 0.50 | 66.70 | 33.40 | 16.70 | 0.50 | 16.70 |
| 9000 | 0 | 120.00 | 60.00 | 30.00 | 0 | 30.00 |

We measure accurate temperature in extreme conditions

Pyrometer & Cooling Jacket Drawing



Accessories

Mounting Clamp (Pyrometer)
(Reference no: 8500-04)



Air Purge
(Reference no: 8500-05)



Mounting Clamp (Water Cooling Jacket)
(Reference no: 8500-06)



Mounting Flange
(Reference no: 8500-07)



Mounting Plate
(Reference no: 8500-08)



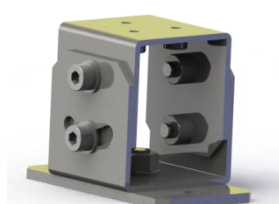
Water Cooling Jacket
(Reference no: 8500-09)



Temperature Indicator
(Reference no: 9000-01)



Adjustable Mounting Stand
(Reference no: 8000-07)



Power supply Input 110/230V AC
Reference No. 9000 - 02
Output 24 V DC, 0.7Amp.



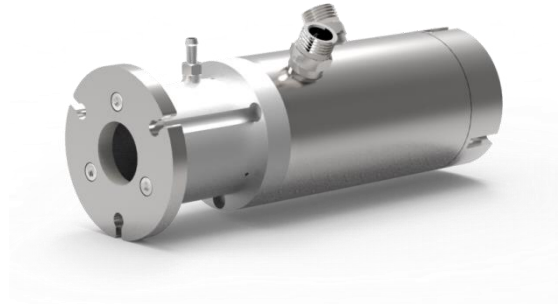
We measure accurate temperature in extreme conditions

Assembly Options

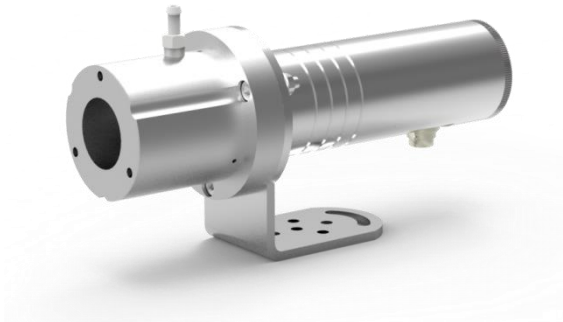
Pyrometer with Mounting Clamp (8500-04)



Pyrometer with Mounting Flange (8500-07) + Air Purge (8500-05) + Water Cooling Jacket (8500-09)



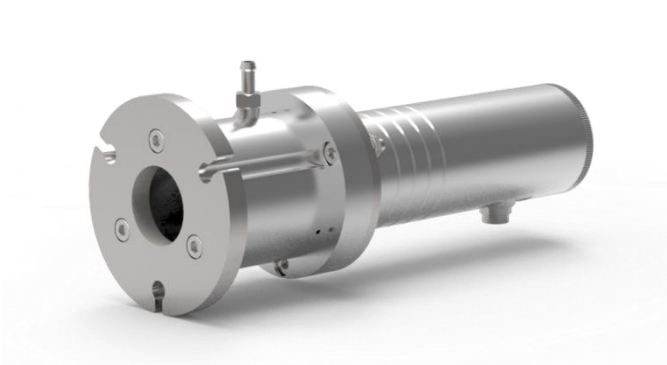
Pyrometer with Air Purge (8500-05) + Mounting Clamp (8500-06)



Pyrometer with Water Cooling Jacket (8500-09) + Mounting Clamp (8500-06)



Pyrometer with Mounting Flange (8500-07) + Air Purge (8500-05)



Pyrometer with Air Purge (8500-05) + Water Cooling Jacket (8500-09) + Mounting Clamp (Water Cooling Jacket) (8500-06)



Accurate Sensors Technologies Pvt. Ltd.
Misgav Industrial Park, Misgav 20174 Israel
Phone :+972-4-9990025, **Fax** : +972-4-9990031
E-mail : info@accuratesensors.com

Accurate Sensing Technologies Pvt. Ltd.
188A, B-169 (Part), B-188 (A), Road No. - 5, M. I. A.,
Madri, Udaipur (Rajasthan) - 313003
Phone : +91-9352506032
Email : sales@astinfrared.com

AST 
Accurate Sensors Technologies